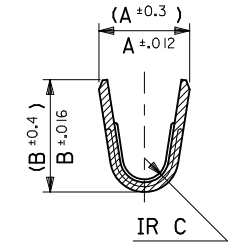
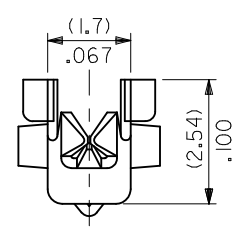
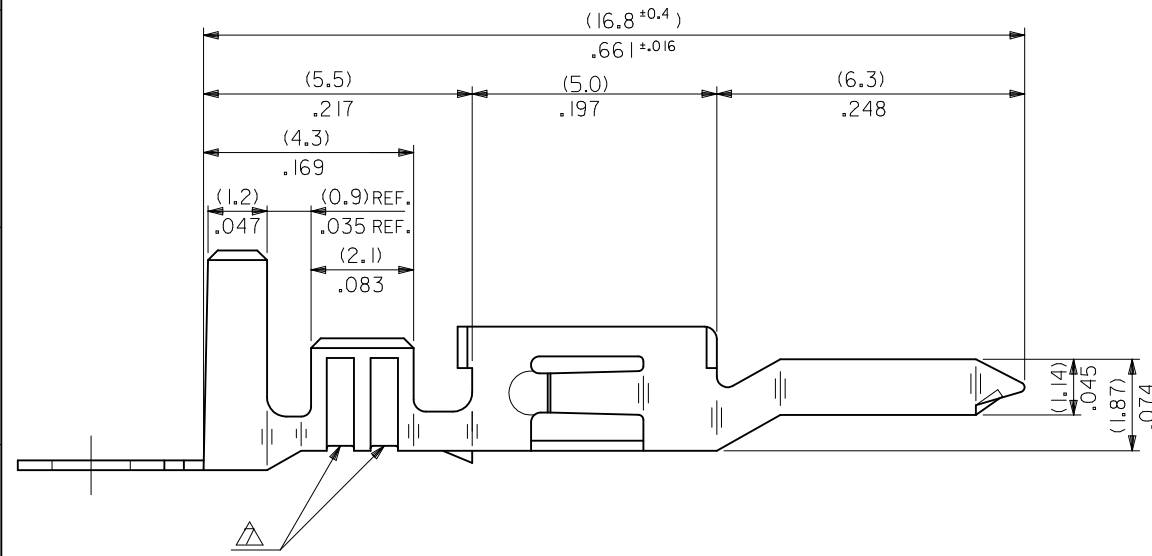
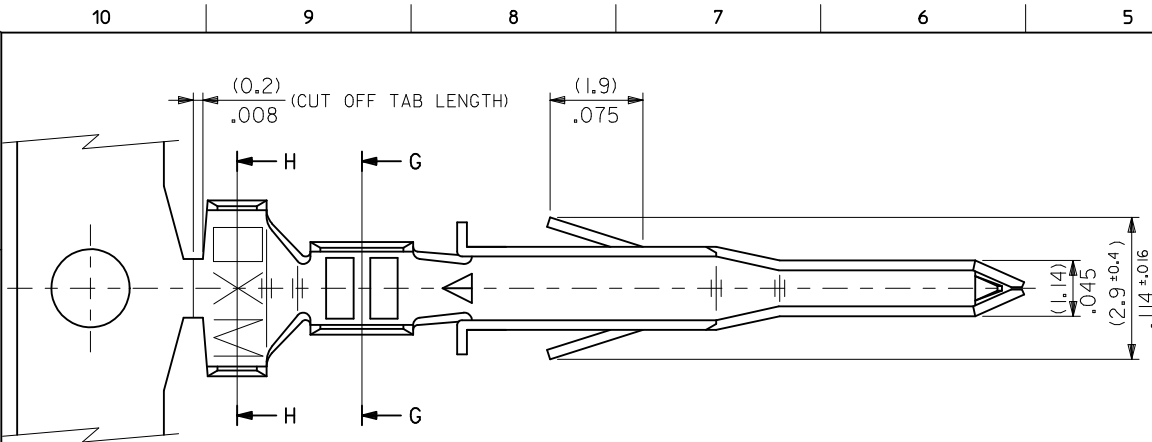
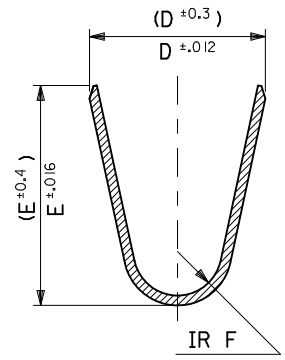


NOTES

1. MATERIAL: SEE CHART
2. FINISH: SEE CHART
3. PRODUCT SPECIFICATION: PS-5556-001, PS-5556-002, PS-5556-003
4. PACKAGING SPECIFICATION: PK-5558-001 FOR CHAIN
PK-5556-003 FOR LOOSE
5. MATES WITH TERMINAL: 5556 SERIES.
6. APPLICABLE HOUSING: 5559, 30068, 42475 SERIES.
7. THE NUMBER OF SERRATIONS TO BE ONE FOR WIRE RANGE #22-28.
8. WHEN TERMINALS ARE INSTALLED IN THE HOUSING THE WIRES ARE TO BE DRESSED IN SUCH A MANNER TO ALLOW THE TERMINALS TO FLOAT FREELY IN THE POCKET.
9. THIS TERMINAL IS DESIGNED FOR SINGLE WIRE CRIMPING.
10. PART CONFORMS TO CLASS "B" REQUIREMENTS OF COSMETIC SPECIFICATION PS-45499-002.



SECT. G-G



SECT. H-H

| | | | | | | | | | |
|---|--------------------|--|---|-----------------|--------------|-----------------------------------|--|-----------|---|
| UPDATED NOTES EC NO: UCP2010-2478 DRWN: J JAGUILAR 2010/04/06 CHKD: JBELL 2010/04/09 APPR: F SMITH 2010/04/09 | DESCRIPTION REV | QUALITY SYMBOLS | GENERAL TOLERANCES (UNLESS SPECIFIED) | DIMENSION STYLE | SCALE | DESIGN UNITS | THIRD ANGLE PROJECTION | | |
| | | $\nabla F=0$ $\nabla E=0$ $\nabla D=0$ | mm INCH 4 PLACES ± --- ± --- 3 PLACES ± --- ± .008 2 PLACES ± .20 ± .008 1 PLACE ± .2 ± --- ANGULAR ± 3 ° | MM/IN | 10:1 | METRIC | DRAWN BY H.HIRAMOTO DATE 1991/03/12 CHECKED BY S.KUNISHI DATE 1998/07/07 APPROVED BY P.S.MURAKUSHIMA DATE 1998/03/09 | TITLE | MINI-FIT JR OVERALL TIN MALE CRIMP TERMINAL |
| | | DRAFT WHERE APPLICABLE MUST REMAIN WITHIN DIMENSIONS | SEE CHART | MATERIAL NO. | DOCUMENT NO. | MOLEX INCORPORATED SD-5558**** | | SHEET NO. | 1 OF 2 |
| | | SIZE B | THIS DRAWING CONTAINS INFORMATION THAT IS PROPRIETARY TO MOLEX INCORPORATED AND SHOULD NOT BE USED WITHOUT WRITTEN PERMISSION | | | | | | |

10 9 8 7 6 5 4 3 2 1

| | | | | | | | | | | | |
|---------------------------------|---------------|---------------|---------------|---------------|----------------|---------------|--------------------------|------------|------------|------------|-------|
| TIN PLATED PHOSPHOR BRONZE | (0.9) .035 | (4.5) .177 | (3.6) .142 | (0.6) .024 | (2.7) .106 | (2.3) .091 | ∅ (3.1) .122 MAX. | # 16 | 39-00-0084 | 5558 PBT3L | LOOSE |
| | (0.6) .024 | (2.3) .091 | (2.3) .091 | (0.4) .016 | (1.65) .065 | (1.8) .071 | ∅ (0.9-1.8) .035-.071 | #22-28 | ↑ -0083 | ↑ PBT3 | CHAIN |
| | (0.9) .035 | (4.5) .177 | (3.6) .142 | (0.5) .020 | (2.3) .091 | (1.9) .075 | ∅ (1.3-3.1) .051-.122 | #18-24 | -0068 | PBT2L | LOOSE |
| TIN OVER COPPER PLATED BRASS | (0.6) .024 | (2.3) .091 | (2.3) .091 | (0.4) .016 | (1.65) .065 | (1.8) .071 | ∅ (0.9-1.8) .035-.071 | #22-28 | -0067 | PBT2 | CHAIN |
| | (0.9) .035 | (4.5) .177 | (3.6) .142 | (0.5) .020 | (2.3) .091 | (1.9) .075 | ∅ (1.3-3.1) .051-.122 | #18-24 | -0062 | PBTL | LOOSE |
| | (0.9) .035 | (4.5) .177 | (3.6) .142 | (0.6) .024 | (2.7) .106 | (2.3) .091 | ∅ (3.1) .122 MAX. | # 16 | -0061 | PBT | CHAIN |
| MATERIAL | (0.6) .024 | (2.3) .091 | (2.3) .091 | (0.4) .016 | (1.65) .065 | (1.8) .071 | ∅ (0.9-1.8) .035-.071 | #22-28 | ↓ -0082 | T3L | LOOSE |
| | (0.9) .035 | (4.5) .177 | (3.6) .142 | (0.5) .020 | (2.3) .091 | (1.9) .075 | ∅ (1.3-3.1) .051-.122 | #18-24 | -0081 | T3 | CHAIN |
| | (0.6) .024 | (2.3) .091 | (2.3) .091 | (0.4) .016 | (1.65) .065 | (1.8) .071 | ∅ (0.9-1.8) .035-.071 | #22-28 | -0049 | T2L | LOOSE |
| | (0.9) .035 | (4.5) .177 | (3.6) .142 | (0.5) .020 | (2.3) .091 | (1.9) .075 | ∅ (1.3-3.1) .051-.122 | #18-24 | -0048 | T2 | CHAIN |
| | | | | | | | | | ↓ -0041 | ↓ TL | LOOSE |
| | | | | | | | | | 39-00-0040 | 5558 T | CHAIN |
| | F | E | D | C | B | A | INS. RANGE | WIRE RANGE | EDP NO. | ENG. NO. | FORM |

| | | | | | | |
|---|-----------------------|---------------------------------------|---|---|--------------|------------------------|
| UPDATE TITLE BLOCK EC NO: UCP2010-2478 DRWN: J JAGUILAR 2010/04/06 CHKD: JBELL 2010/04/09 APPR: FSMITH 2010/04/09 REV DESCRIPTION | QUALITY SYMBOLS | GENERAL TOLERANCES (UNLESS SPECIFIED) | DIMENSION STYLE | SCALE | DESIGN UNITS | THIRD ANGLE PROJECTION |
| | ▽ F/0 | mm INCH | MM/IN | 10:1 | METRIC | |
| | ▽ E/0 | 4 PLACES ± --- ± --- | DRAWN BY DATE | TITLE | | |
| | ▽ Z/0 | 3 PLACES ± --- ± .008 | H.HIRAMOTO 1991/03/12 | MINI-FIT JR OVERALL TIN MALE CRIMP TERMINAL | | |
| | 2 PLACES ± .20 ± .008 | CHECKED BY DATE | MOLEX INCORPORATED | | | |
| | 1 PLACE ± .2 ± --- | S.KUNISHI 1998/07/07 | DOCUMENT NO. | | | |
| | ANGULAR ± 3 ° | APPROVED BY DATE | SD-5558**** | | | |
| | | FSMITH/KUSHIMA 2010/07/09 | SHEET NO. | | | |
| | | MATERIAL NO. | 2 OF 2 | | | |
| | | SEE CHART | THIS DRAWING CONTAINS INFORMATION THAT IS PROPRIETARY TO MOLEX INCORPORATED AND SHOULD NOT BE USED WITHOUT WRITTEN PERMISSION | | | |

9 8 7 6 5 4 3 2 1